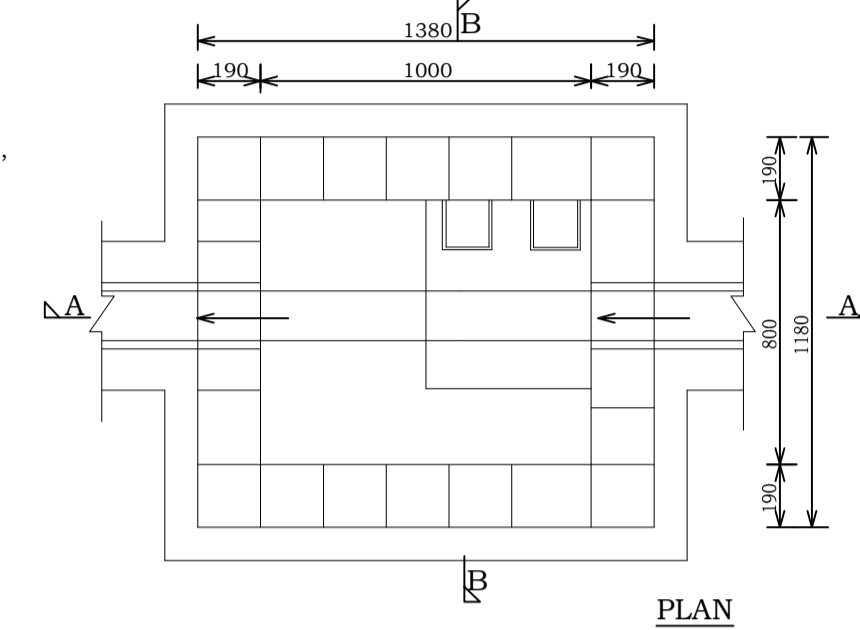
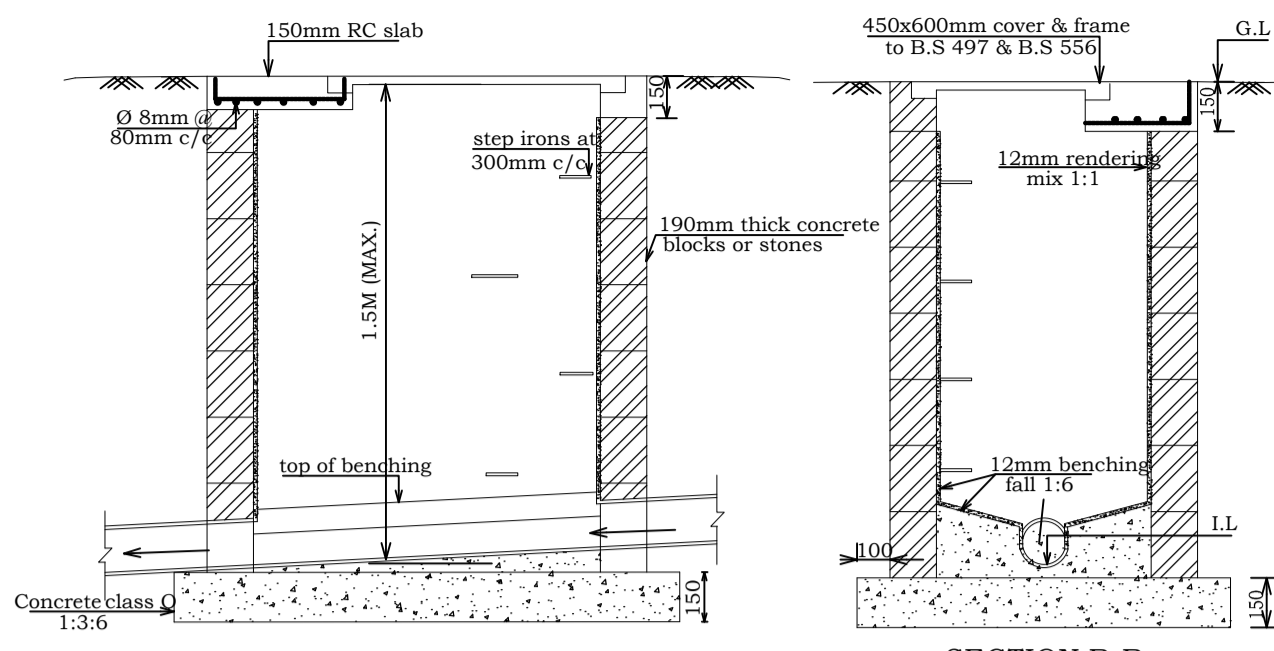


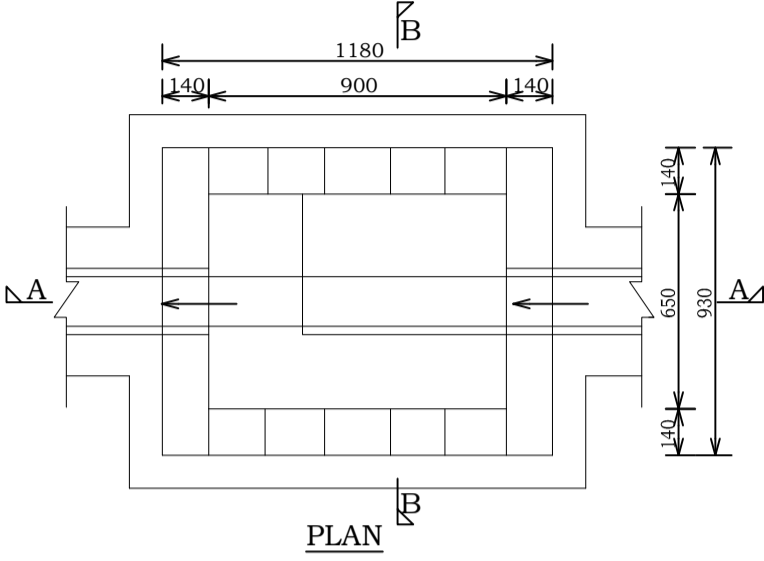
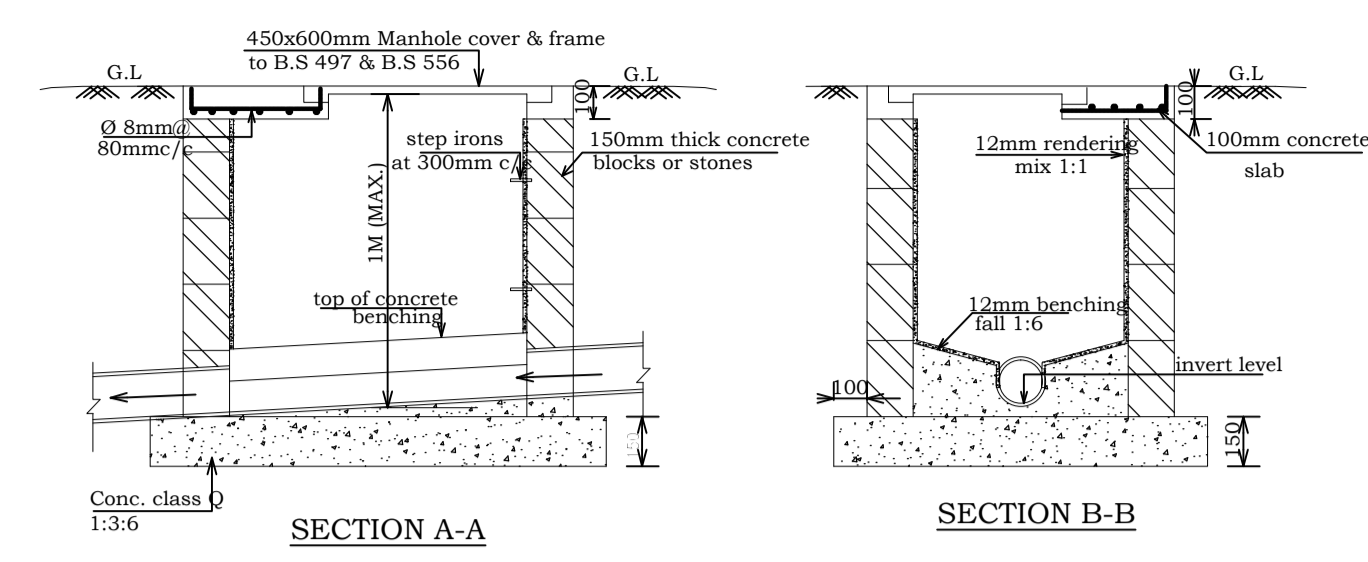
NOTE
 1: Side walls may be masonry or concrete blocks
 2: This manhole to be used for change of direction, size or gradient.

RECTANGULAR MANHOLE TYPE 'D'
 DEPTH 2.0M MAXIMUM
 DRG No. (50) 5303
 SCALE 1:20



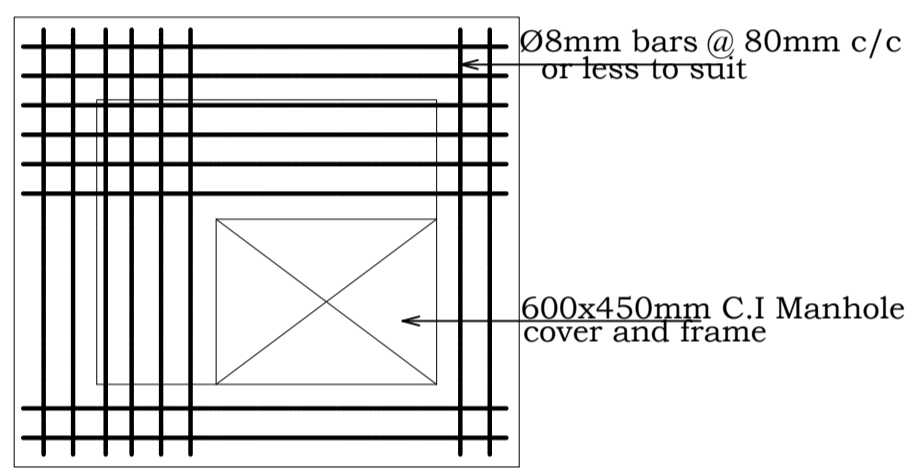
NOTE
 1: Side walls may be masonry or concrete blocks
 2: This manhole to be used for change of direction, size or gradient.

RECTANGULAR MANHOLE TYPE 'C'
 DEPTH 1.5M MAXIMUM
 DRG No. (50) 5302
 SCALE 1:20



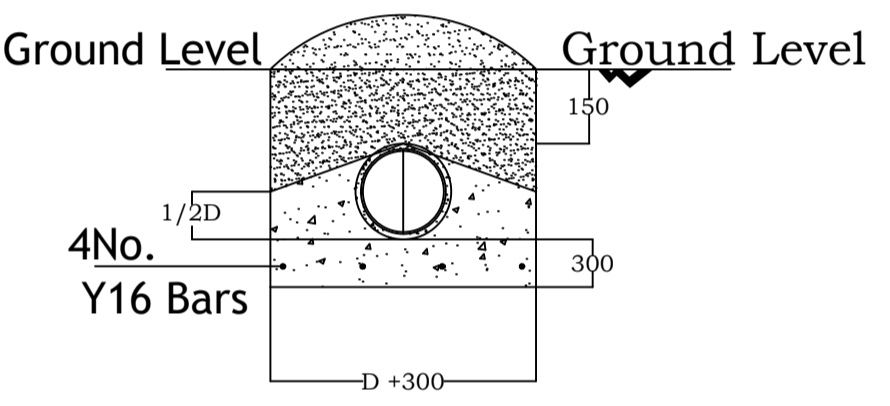
NOTE
 1: Side walls may be masonry or concrete blocks
 2: This manhole to be used where additional connections are required.

RECTANGULAR MANHOLE TYPE 'B'
 DEPTH 1M MAXIMUM
 DRG No. (50) 5301
 SCALE 1:20



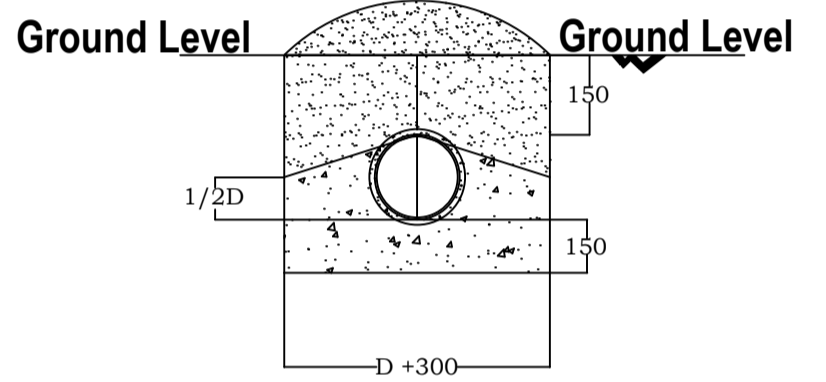
TYPICAL MANHOLE COVER SLAB REINFORCEMENT
 DRG NO. (50)5309
 SCALE 1:20

CONCRETE BEDDING TYPE 'G'.

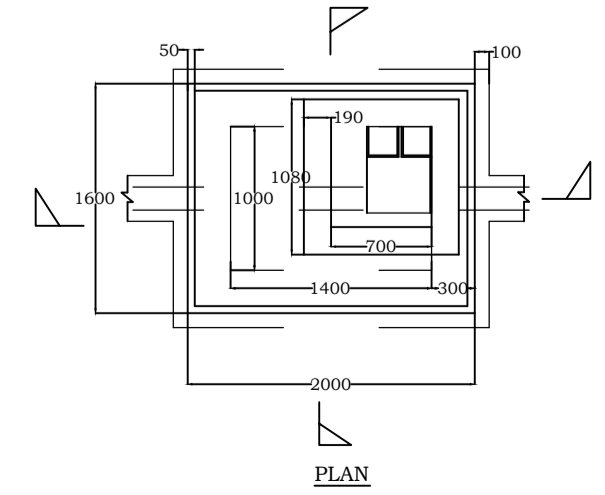
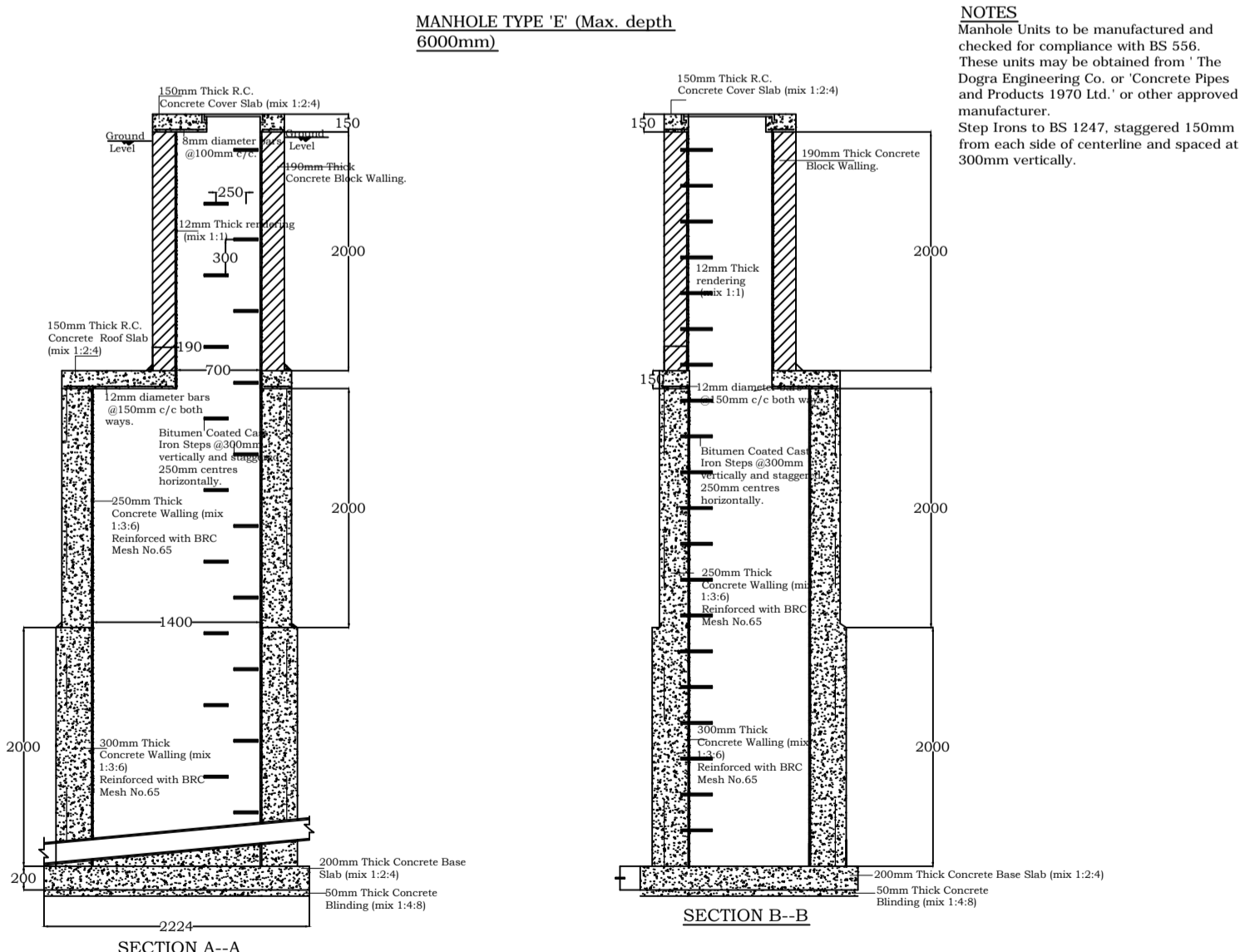


For Grounds of Low Bearing Capacity & Black Cotton Soils.

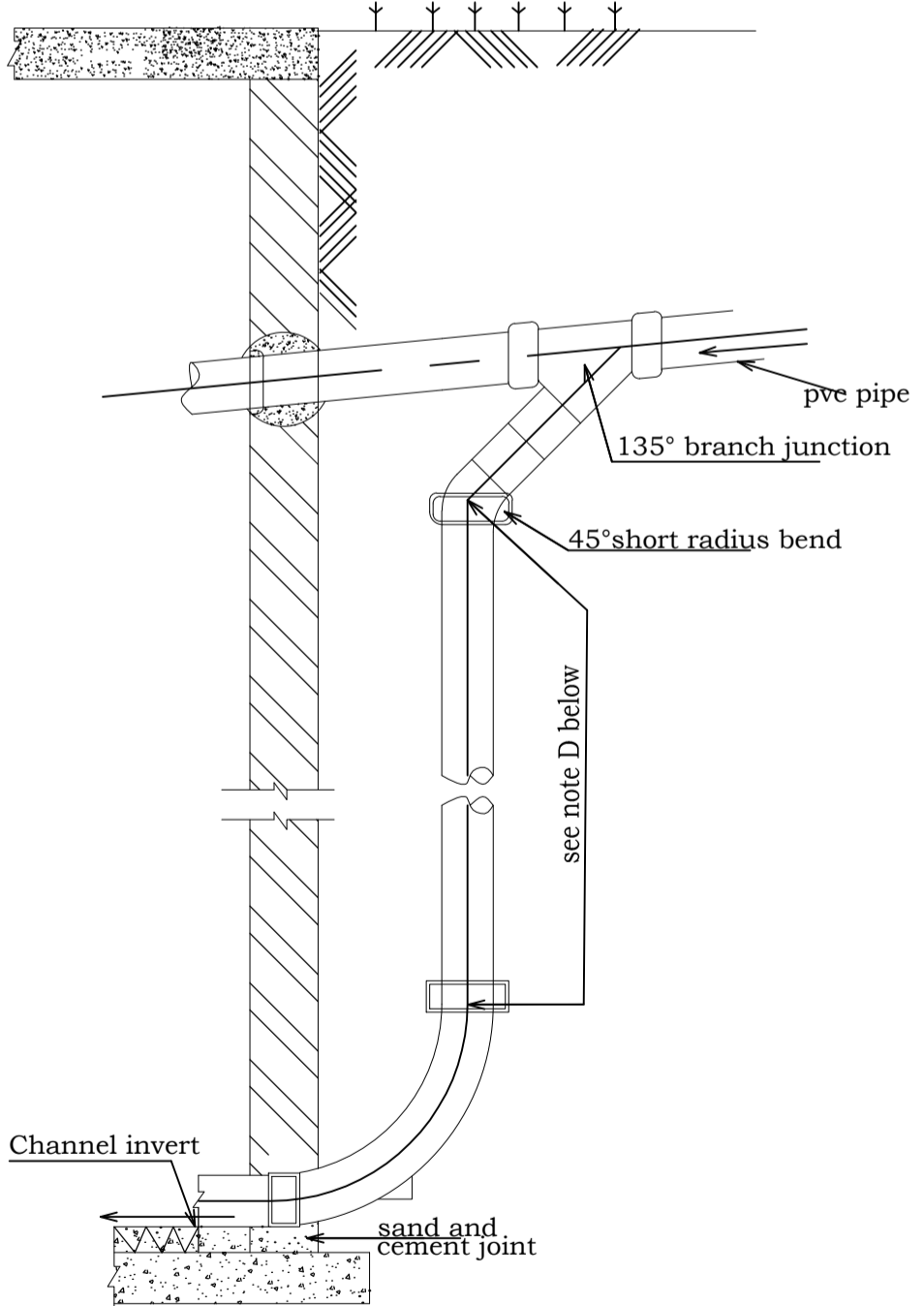
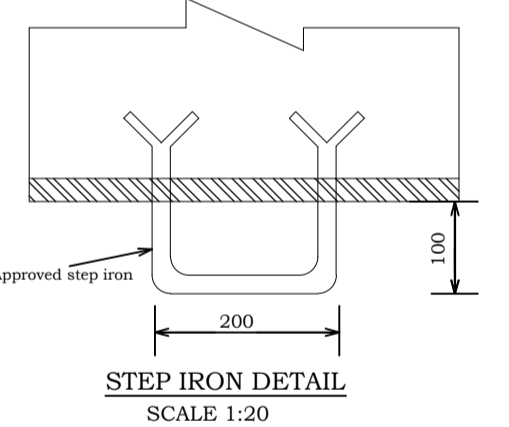
CONCRETE BEDDING TYPE 'B'.



For Heavy Loads e.g. Driveways



NOTE
 This Manhole to be used where Circular (or oval) manhole frames are NOT available.



DROP MANHOLE DETAILS PVC PIPES
 DRG NO. (50) 5305
 SCALE 1:20

NOTES
 A: 19mm section channel bend for 102mm pipe only. Other sizes made by cutting pipe and fitting.
 B: See KEY TERRAIN catalogue for size and Ref. Nos. of fittings.
 C: Expansion coupling required if L is over 3600mm.
 D: Holderbats required at 1800mm c.c and at fixed points.
 E: Joints made of sand and cement (sand: sharp and washed) mix 1:3 cement, sand by vol.